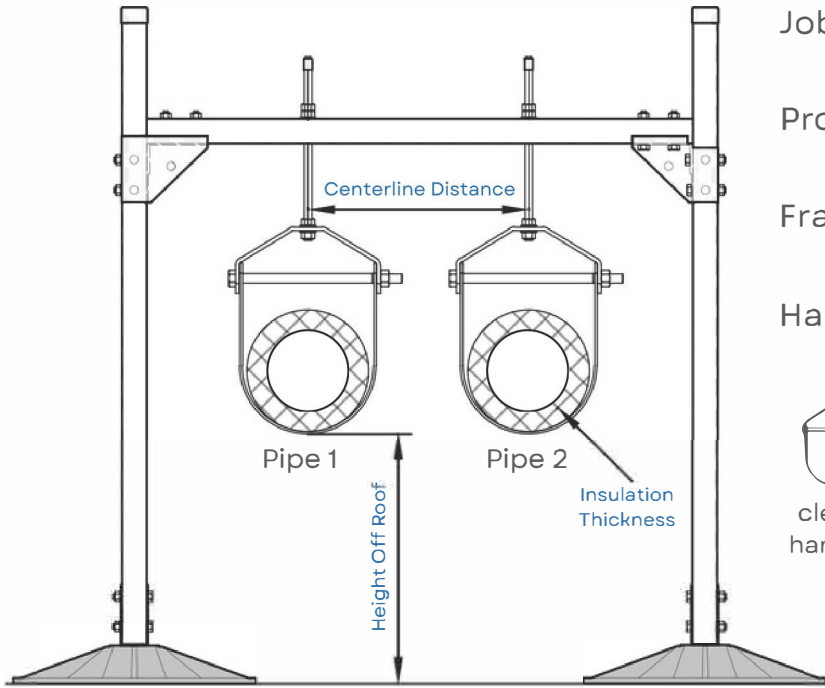


PIPE SUPPORT QUOTE TEMPLATE



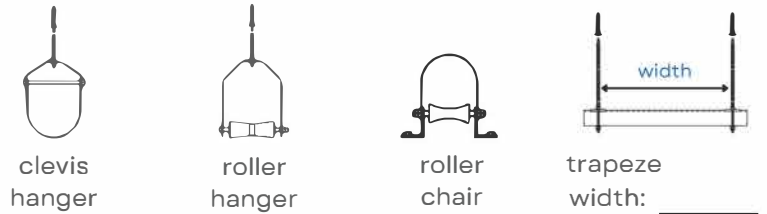
Frame shown with clevis hangers

Job Name: _____

Project Type: New Construction Retrofit

Frame Label: _____ Qty. of Supports: _____

Hanger Type:



	PIPE #1	PIPE #2	PIPE #3	PIPE #4	PIPE #5
Pipe Size					
Insulation Thickness					
Pipe Type					
Pipe Contents					
Clevis or Roller Size					
Height Off Roof					
Centerline Distance					

KEY INFORMATION

- Pipe supports are designed for single or multiple pipes, for single or multiple tier, and for various heights.
- The pipe support series is engineered to ensure member/component capacities and deflection criteria are not exceeded.
- Maximum loading from any MIRO base to the finished roof surface is not to exceed 3.0 psi, unless specified in project specifications.
- Recommended spacing is not to exceed 10 ft. on center, depending on load. Pipe stand must be properly elevated to even load weights at each stand.
- Width and height are built job-specific based on information provided to MIRO Industries.
- Base material: Polycarbonate.
- All metal parts are galvanized. Stainless steel available upon request.
- Non-anchored products do not provide significant resistance to wind or seismic loading. Contact MIRO Industries for wind and seismic solutions.
- Accessories include rubber support pad and cross bracing.

