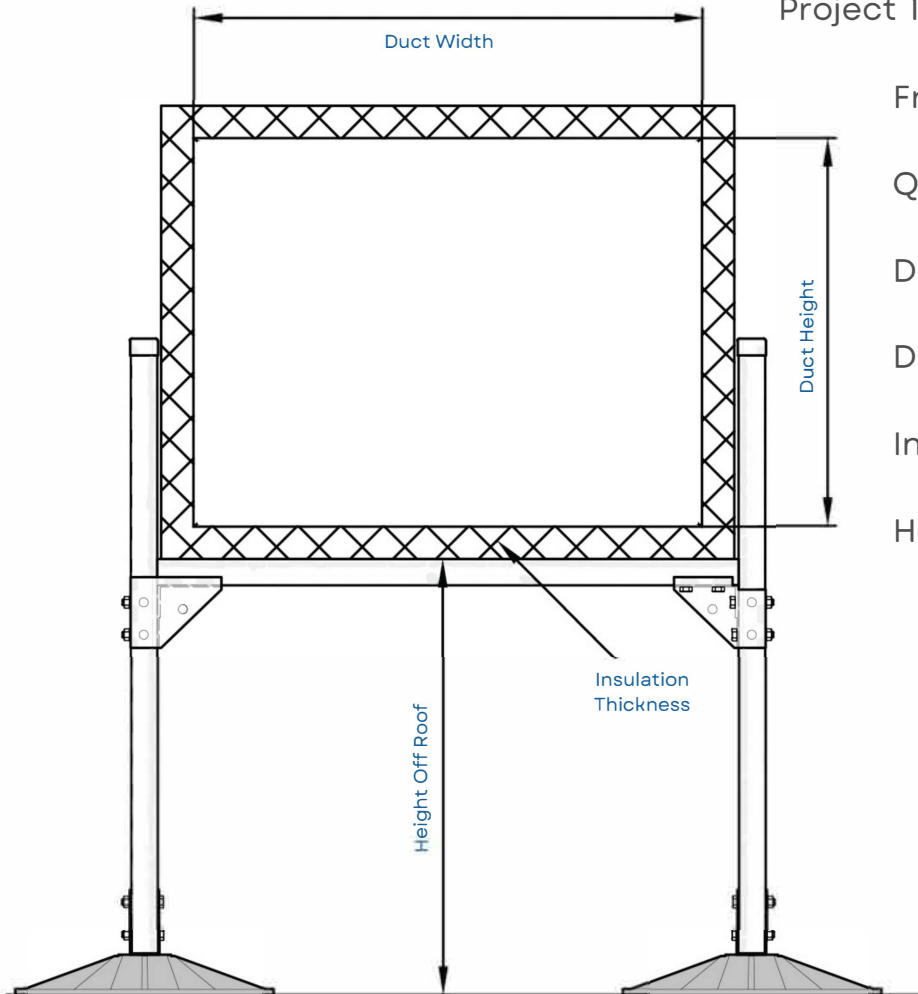


Job Name: _____

Project Type: New Construction Retrofit



Frame Label: _____

Qty. of Supports: _____

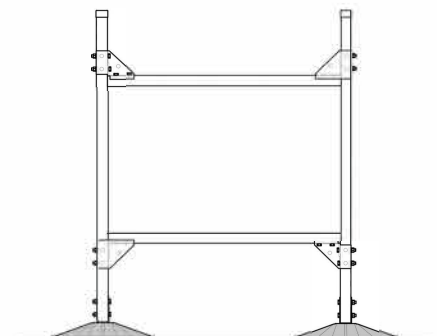
Duct Width: _____

Duct Height: _____

Insulation Thickness: _____

Height Off Roof: _____

Enclosed Duct Support



KEY INFORMATION

- Duct supports are designed for single or multiple ducts, for single or multiple tier, and for various heights.
- The duct support series is engineered to ensure member/component capacities and deflection criteria are not exceeded.
- Maximum loading from any MIRO base to the finished roof surface is not to exceed 3.0 psi, unless specifically allowed otherwise in the project specifications. Deflection in the horizontal header bar is not to exceed the span length by 360 or 1/8".
- Recommended spacing is not to exceed 8 ft. on center, depending on load. Do not exceed load weight.
- Width and height are built job-specific based on information provided to MIRO Industries.
- Base material: Polycarbonate.
- All metal parts are galvanized. Stainless steel available upon request.
- Non-anchored products do not provide significant resistance to wind or seismic loading. Contact MIRO Industries for wind and seismic solutions.
- Accessories include rubber support pad and cross bracing.

